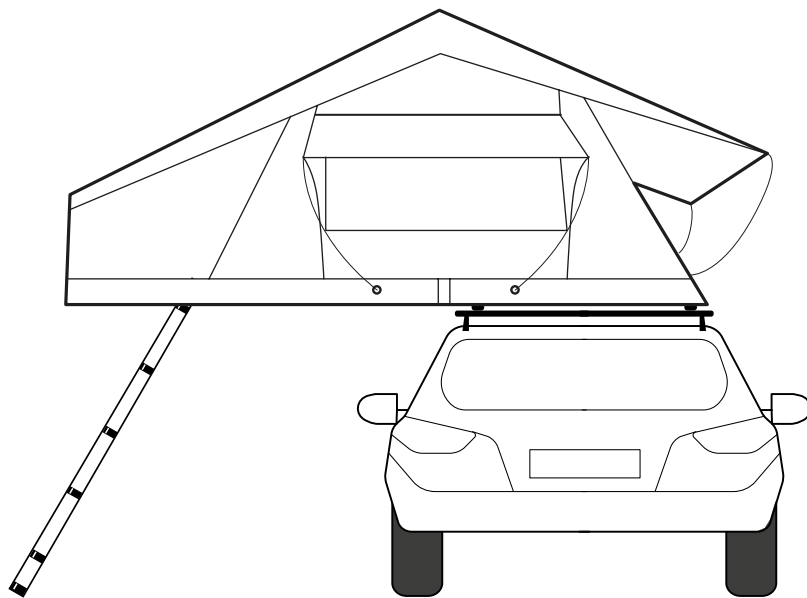




HALVOR 160 ROOFTOP TENT
ASSEMBLY AND USAGE INSTRUCTIONS



GENERAL SAFETY INSTRUCTIONS

To avoid property damage and / or injury, read the following safety instructions completely before you start installing or using the rooftop tent. The consequences that may result from disregarding the safety measures described in this section are described by the following warning words:

CAUTION!

Caution: Failure to observe this warning may result in minor to moderate injuries and roof damage to the roof tent and/or vehicle.

WARNING!

Warning of dangers! Non-observance can lead to serious injury or even death as well as serious damage to the roof tent and/or vehicle.

▲ WARNING! If you have physical limitations we recommend that you do not assemble the rooftop tent yourself. The rooftop tent may only be assembled by adults.

▲ WARNING! Make sure that the load capacity of the roof racks or crossbars is sufficient and that the dynamic roof load of your vehicle is not exceeded. The outer crossbars should be mounted at least 80 cm apart.

Make sure that all objects transported in the roof tent are securely stowed.

▲ CAUTION! Do not transport any sharp objects in the roof tent. The maximum permitted travelling speed with the fitted rooftop tent is 120 km/h.

WARNING! This speed must not be exceeded.

Check your rooftop tent for completeness before each use and check that it is free of defects. **WARNING!** Never use a defective tent. This could lead to serious injury and serious damage to the roof tent and/or vehicle.

Check the distance and length of the crossbars before installation. **WARNING!** Ensure that the roof racks are at least as wide as or wider than the roof tent. If necessary, fit carrier extensions (not included).

▲ CAUTION! Place a blanket or cloth on your car roof to protect the car body from scratches during installation. If possible, the roof tent should be installed so that the tailgate can be fully opened even when the roof tent is open quickly.

▲ CAUTION! Deviating installation can lead to damage to the rooftop tent and / or tailgate.

▲ CAUTION! Please note that your vehicle is higher with the rooftop tent fitted, so your vehicle may exceed the permitted height of multi-storey car parks, subways or tunnels.

▲ CAUTION! Never drive with the rooftop tent open. Always check that it is fully closed before setting off.

▲ CAUTION! Remove the rooftop tent before taking your vehicle to a car wash.

▲ WARNING! The manufacturer accepts no liability for personal injury or damage to property caused by incorrect installation or improper use of the rooftop tent.

▲ WARNING! Modifications to the product are not permitted. Repairs may only be carried out by trained specialists. Unprofessional modifications can lead to damage to your rooftop tent and / or persons.

▲ WARNING! Always keep fire or open light away from the tent. Risk of fire! Never use barbecues, stoves or other sources of fire in your rooftop tent. Risk of suffocation!

I. MOUNTING INSTRUCTIONS

This section describes how to install your new rooftop tent. It is essential that you read the safety instructions on the previous pages carefully before you start fitting the rooftop tent. If you have any difficulties during installation, please contact your retailer. The manufacturer accepts no liability for damage or injury caused by improper installation or use.

1. PREPARATION

1.1 Take the rooftop tent out of the box and lay it on a flat, soft and clean surface. The underside with the ten holes for mounting the support channels should be on top.

1.2 Carefully open the roof tent and remove the contents:

- Ladder..... 1 pc
- Raincover 1 pc
- Carrier channels 2 pc
- Guy ropes 3 pc
- Tent pegs 3 pc
- Door arch 1 pc
- Ridgepole 1 pc
- Storage mesh 1 pc
- Shoebag 2 pc
- Assembly tool (see p.2)1 bag

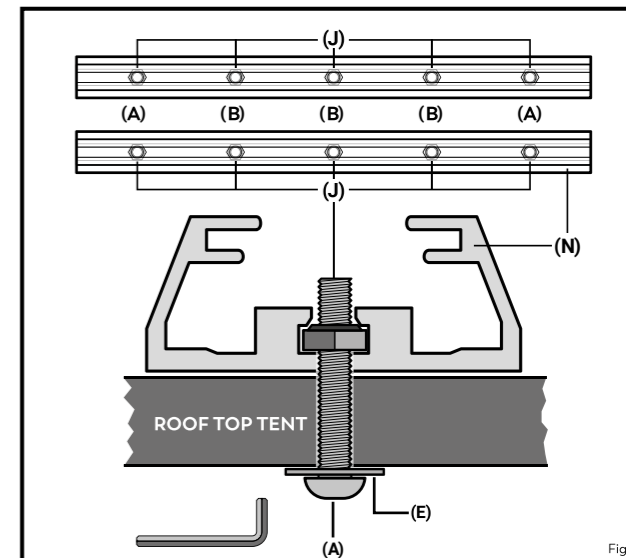
▲ CAUTION! Please always take care of your hands while opening the tent. **Danger of pinching!**

▲ PLEASE NOTE: The six poles for setting up the windows are located in a bag provided for this purpose under the window on the back of the rooftop tent.

2. INSTALLATION OF THE CARRIER CHANNELS

2.1 Take the two **carrier channels N** and place them with the open side facing upwards at the points on the rooftop tent where the pre-drilled holes are located.

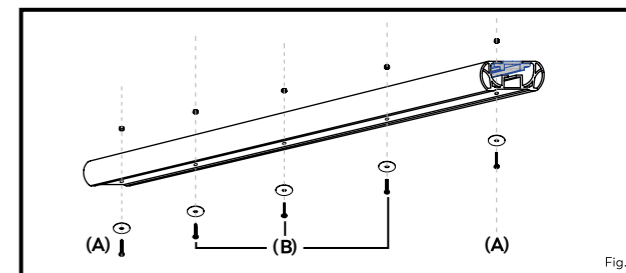
2.2 Take the **screw nuts J** (10x) and push them into the lower, centre rail of the **carrier channels** (see Fig. 1).



2.3 Align the **screw nuts J** so that they are above the five pre-drilled holes. Now take the screws B (6 x) and insert them through the **washers E** (6x).

Place these in the centre six of the ten pre-drilled holes in the base plate. Connect these with the **nuts J**, which have been distributed accordingly in the **carrier channels**, but do not tighten them yet.

Take the **screws A** (4x) first, insert them through the **flat washers E** (4x) and distribute them on the outer pre-drilled holes of the base plate on the aluminium frame (see Fig. 2).



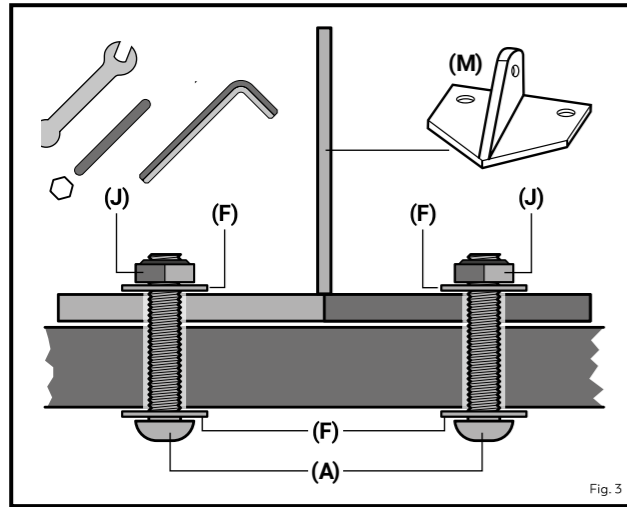
Also connect these with the **screw nuts** in the two **carrier channels** and tighten all 10 screws on the inside of the rooftop tent using the **hex key** supplied. Removing the mattress can make this step easier.

3. ASSEMBLY OF THE LADDER

3.1 Carefully turn the tent to the other side and locate the pre-drilled holes on the edge of the tent floor. **ATTENTION:** The tent should be moved by at least **2 adults**.

3.2 Take the **ladder bracket M** and fasten it to the rooftop tent using the **screws A** (4x), **washers F** (8x) and **nuts J** (4x), as shown in Fig. 3.

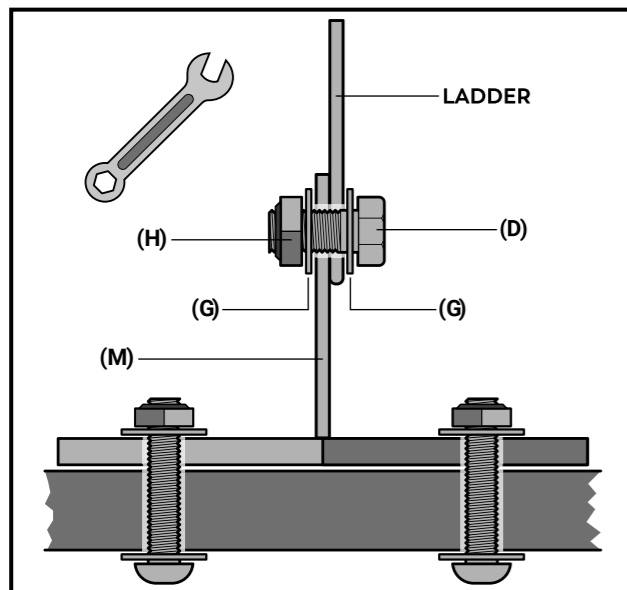
CAUTION! Please note that the tip of the **ladder brackets M** must point towards the centre of the rooftop tent. The holders must not protrude beyond the edge of the rooftop tent under any circumstances!



3.3 Then attach the ladder to the bracket using the **screws D** (2x), the **washers G** (4x) and the **nuts H** (2x) (see Fig. 4).

4. ROOF ASSEMBLY

4.1 Secure the assembled ladder to the top of the folded rooftop tent.



▲ WARNING! Please check that the crossbars are correctly fitted before lifting the roof tent onto the roof of your vehicle. The outer crossbars must not be less than 80 cm apart.

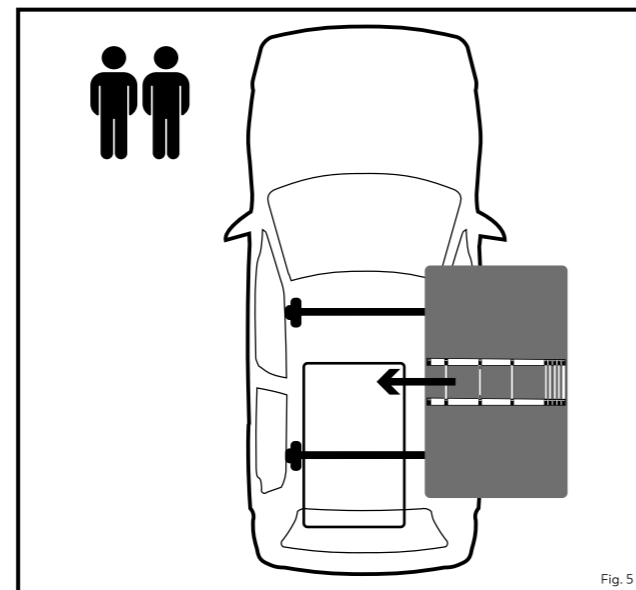
▲ WARNING! The rooftop tent should be lifted onto the roof with at least **2 adults**. Risk of injury! Children and mentally or physically impaired persons must not assemble the tent!

▲ CAUTION! Before you lift the rooftop tent onto the car roof, you should place a blanket or similar on your car roof to protect it from scratches.

▲ CAUTION! Roof aerials should be removed before installation.

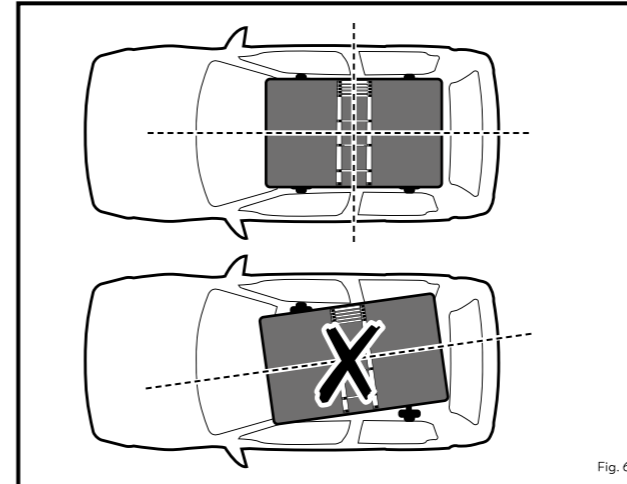
4.2 Lift the roof tent onto the car roof **from the side**. To do this, grab the rooftop tent by the underside, lift it to the correct height and carefully slide it onto the crossbars (see Fig. 5).

▲ CAUTION! Please pay attention to the correct orientation of the rooftop tent, depending on which side of the vehicle the entrance of the rooftop tent should be positioned.



4.3 Place the rooftop tent in the centre of the crossbars.

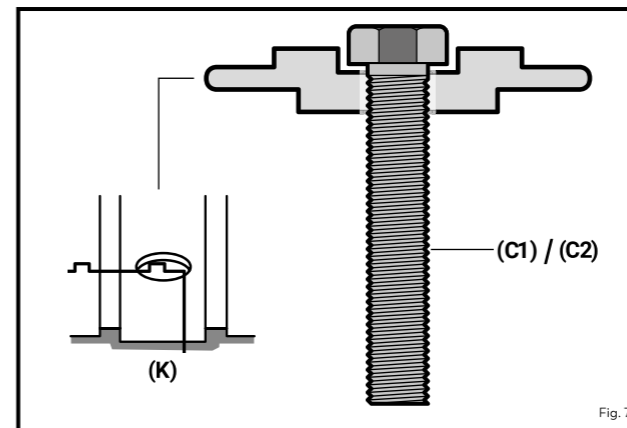
▲ WARNING! Make absolutely sure that the rooftop tent is centred on your roof rack. It must not be shifted or rotated horizontally or vertically (see Fig. 6). Risk of injury!



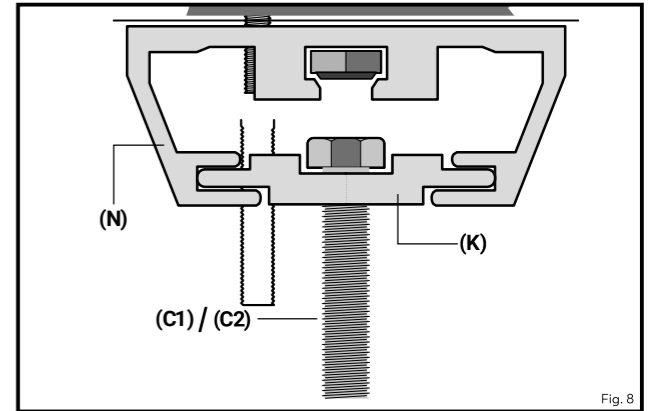
4.4 Take the bent metal discs K (8x) and insert one **screw C** (8x) into each **disc** (see Fig. 7).

WARNING! Please select the appropriate length for your crossbars (see info box).

4.5 Slide the **metal discs** together with the **screws** into the rails provided in the **carrier channels** (four **metal plates / carrier channel** - see Fig. 8).



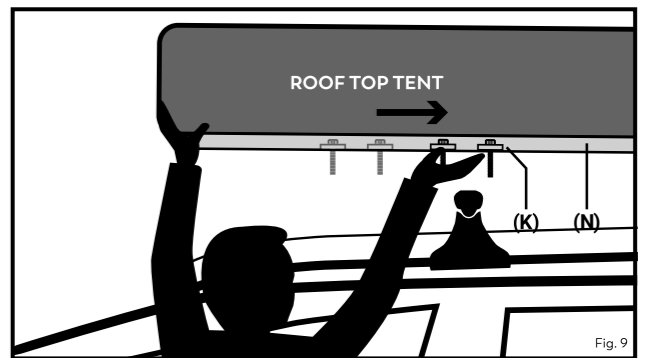
PLEASE NOTE!
Depending on the thickness of the crossbars (not included), you can choose between screws C1 (70 mm) and screws C2 (50 mm).



4.6 Lift the rooftop tent slightly and slide the **metal discs K** with the **screws C1 / C2** into the correct position so that the crossbar is positioned between the **screws** (see Fig. 9).

▲ PLEASE NOTE: Repeat step 4.6. for all the points at which the rooftop tent is to be attached to the crossbars.

4.7 Take the **mounting plates O** and fasten them to the screws using the **nuts H** (8x) and **washers G** (8x) (see Fig. 10).



▲ WARNING! Please check once again that your rooftop tent is centred on the crossbars (see Fig. 6) before tightening the nuts on the mounting plates. Take care not to move the roof tent during tightening of the nuts.

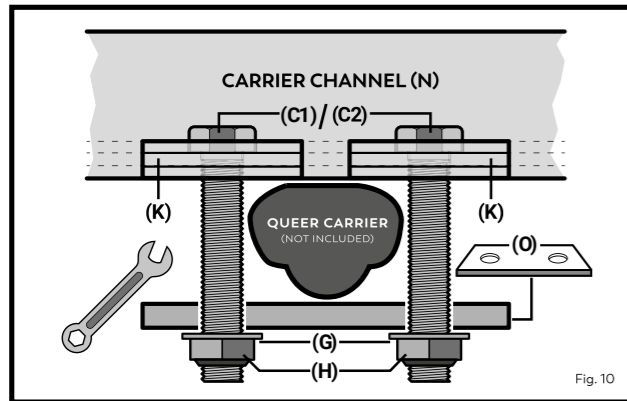


Fig. 10

PLEASE NOTE!

A slight bending of the lower plates when tightening the screws is completely normal and is neither a defect nor a safety risk.

4.9 Place the black **end caps L** (4x) on the ends of the support channels. If necessary, use a rubber mallet (not included) to secure them.

▲ WARNING! Before every journey, make sure that the roof tent is firmly and evenly mounted. Also check that all nuts and bolts are correctly seated and sufficiently tight.

▲ CAUTION! Check whether the roof tent has been fitted so that the tailgate can be fully opened. If this is not the case, the position of the roof tent should be corrected again. A deviating installation can lead to damage to the roof tent and / or tailgate.

5. FITTING THE RAIN COVER

5.1 Take the rain cover and insert the side without the zip into the piping strip under the hinge (see Fig. 11).

▲ CAUTION! Please pay attention to the correct alignment (inside / outside) of the rain cover and the zip!

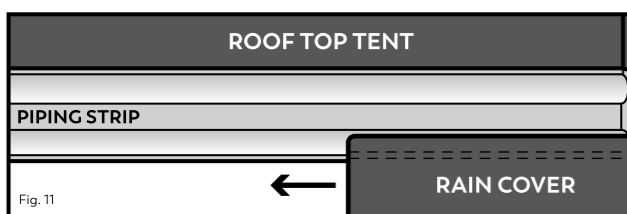


Fig. 11

5.2 Use the surrounding part of the zip on the rain cover with the corresponding part of the zip on the roof tent to fasten the rain cover (see Fig. 12).

5.3 Place the two straps over the roof tent and rain cover, close the fasteners and tighten the straps (Fig. 12). Your roof tent is now ready to drive and use.

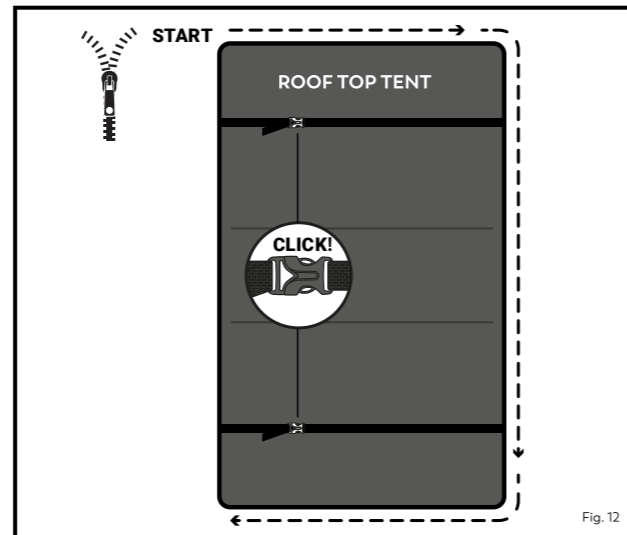


Fig. 12

▲ WARNING! Before travelling, please ensure that all fabric parts are safely stowed in the roof tent or under the cover and that the ladder is securely fastened. Risk of accident!

▲ WARNING! An installed roof tent can change the weight distribution and thus the driving behaviour of your vehicle. Danger of injury!

▲ CAUTION! Allow the roof tent to dry thoroughly before storing it. The roof tent must never be stored damp in order to minimise the risk of mould growth.

II. INSTRUCTIONS FOR USE

6. SETTING UP THE ROOFTOP TENT

6.1 Remove the rain cover completely from the rooftop tent.

6.2 Undo the two straps on the sides of the rooftop tent.

6.3 Loosen the straps on the ladder and use the ladder to open the roof tent. **CAUTION!** Risk of bruising!

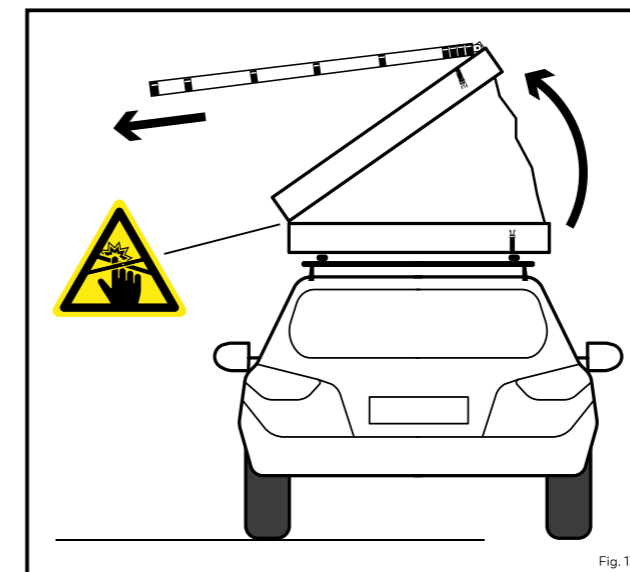


Fig. 13

6.4 Pull out the rungs of the ladder as far as necessary. You should hear the bars click into place (see Fig. 13)

▲ CAUTION! The ladder should always be extended rung by rung. Please do not place any load on the ladder if the centre rungs are not fully extended (see Fig. 14).

6.5 Place the ladder on a level and clean surface.

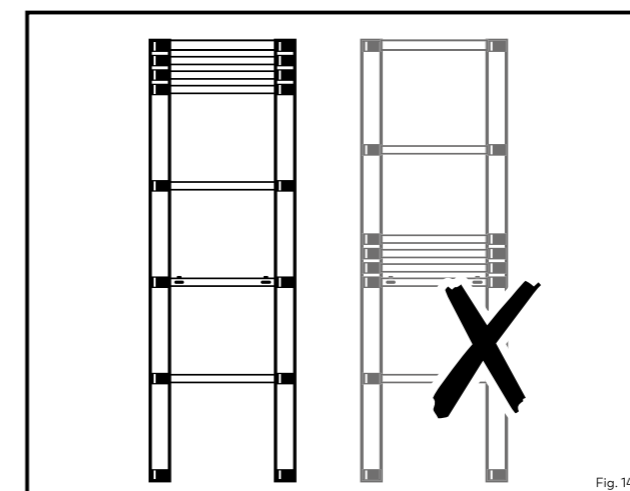


Fig. 14

▲ WARNING! The ladder should always be set up at an angle of approx. 60° to the ground (see Fig. 15). A higher or lower angle can lead to dangerous injuries and / or damage to the rooftop tent and car.

▲ WARNING! Always ensure that both feet of the ladder are firmly on the ground and that the ladder is not loaded on one side.

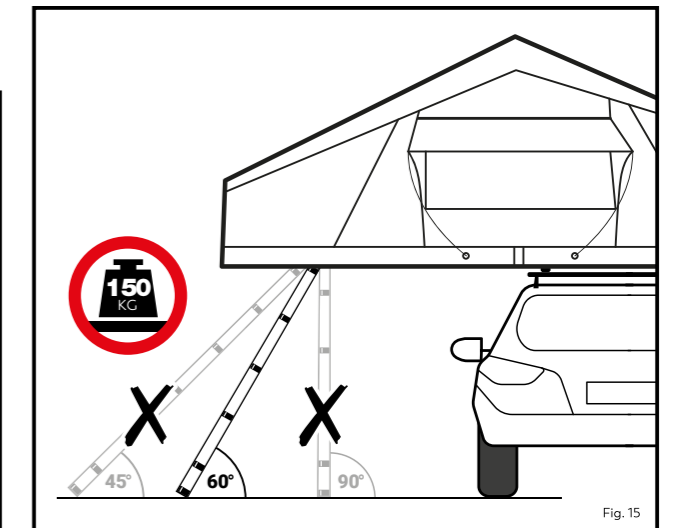


Fig. 15

▲ WARNING! Only one person may be on the ladder at a time. Risk of injury!

▲ WARNING! The maximum load capacity of the ladder of 150 kg must not be exceeded. Risk of injury!

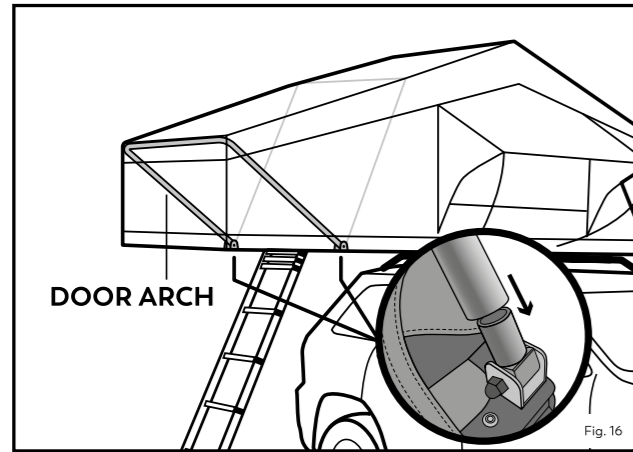
▲ WARNING! Never use the ladder as a bridge! Only step onto the ladder with sturdy shoes.

▲ WARNING! Make sure that the ladder is standing stable and that the rungs are correctly extended and locked in place before using the ladder.

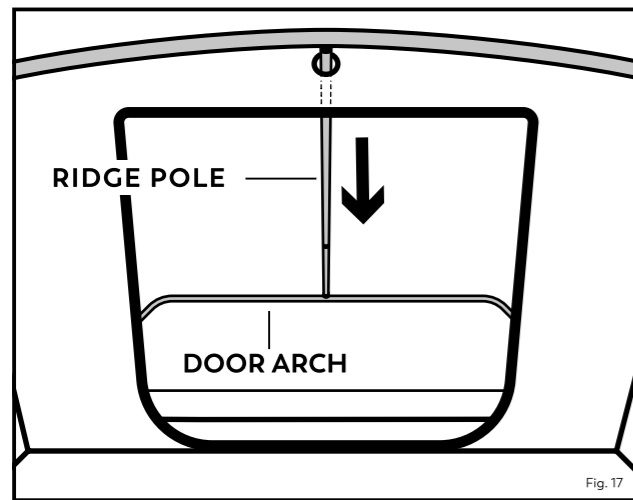
▲ WARNING! Please always observe the safety instructions on the ladder.

▲ CAUTION! Take care of your fingers when pulling out and pushing together the ladder. Risk of bruising!

6.6 Take the door arch, attach the two ends to the connecting pieces on both sides of the tent entrance and place the canopy fabric over the door arch (see Fig. 16).



6.7 Guide the ridge pole from the inside through the opening above the door and clamp the pole against both the tent arch and the door arch to open up the entrance area (see Fig. 17). The ridge pole can be stepless adjusted.



6.8 Use the guy ropes and tent pegs supplied to secure your roof tent against the wind.

6.9 The shoe bags included in the scope of delivery can now be attached to the piping strips below the entrance if required.

7. SETTING UP THE WINDOWS

7.1 Remove the pitching poles (6x) from the pocket underneath the window on the back of the tent.

7.2 Insert the lower ends of the poles into the openings provided on the underside of the rooftop tent.

7.3 Carefully bend the upright poles and insert the upper ends of the poles into the eyelets on the windows.

▲ WARNING! Ensure a secure hold when setting up the windows. Danger of falling!

▲ CAUTION! When attaching the poles, ensure that they are inserted correctly into the loops to avoid scratches or other damage to the vehicle and/or rooftop tent.

8. CLOSING THE ROOF TENT

8.1 Remove the poles from the windows and put them back in the pocket underneath the window at the back of the tent.

8.2 Remove the ridge pole and the door arch from the entrance area and place both in the rooftop tent.

8.3 Then use the ladder to fold up the rooftop tent again.

▲ CAUTION! Risk of bruising!

▲ CAUTION! Make sure that all fabric parts are securely stowed in the tent and that nothing is hanging out.

▲ CAUTION! It is best to allow your rooftop tent to dry completely before folding it up. Do not store it damp!

8.4 Push the ladder together completely and stow it safely back on the rooftop tent. To do this, use the Velcro straps on the roof tent.

8.5 Close the straps on the sides of the rooftop tent.

8.6 Attach the rain cover as described in step 5.

III. CARE INSTRUCTIONS

▲ CAUTION! Only use soft cloths, warm water and a mild soapy solution for cleaning. Do not use scrubbing detergents!

▲ CAUTION! Before storing, you should clean your rooftop tent and remove the mattress from the tent.

▲ CAUTION! The tent must never be exposed under load during storage.

▲ CAUTION! Let your rooftop tent dry completely after each use. Never store it damp to avoid mould growth!

▲ PLEASE NOTE: To clean the mattress, please follow the instructions on the washing label.

IV. HALVOR 160 ANNEX

PLEASE NOTE!

Your new soft-top roof tent can be perfectly expanded with the living cabin (see Fig. 18). This is available separately and is not included with the rooftop tent. Please ask your retailer about current availability.

The GROENBERG Halvor Annex is available in 3 sizes for different vehicle heights:

Height S:140 to 169 cm
 Height M:170 to 199 cm
 Height L:200 to 240 cm

▲ WARNING! Nobody may be inside the rooftop tent when the cabin is fitted to the rooftop tent.

▲ CAUTION! Remove the cover / transport cover completely so that the piping rail on the rooftop tent is exposed.

The piping of the cabin is now inserted into this rail. The annex and the covered entrance of the rooftop tent are then connected using the zip on the cabin.

▲ CAUTION! To do this, lift the ladder slightly. The ladder may need to be folded in or removed.

The cabin is now braced as far outwards as possible with the tent pegs, guy ropes and eyelets/loops.

The floor can be zipped off. The small section of fabric supplied serves as protection for the groundsheet and is positioned under the feet of the ladder to reduce excessive abrasion.

▲ CAUTION! We expressly advise against using the floor without this fabric protection under the ladder treads!



Skanfriends GmbH
Achtern Diek 2
24576 Bad Bramstedt
Germany

www.groenberg.com
info@groenberg.com



Printed in China
Subject to change without notice
Version 12/2024